



RCM-1 AIR DISTRIBUTION MANIFOLD Part Number 18148

RCM-2 AIR DISTRIBUTION MANIFOLD Part Number 18159

Description

The RCM-1 and RCM-2 Air Distribution Manifolds answer the need for high quality low cost manifolds. Using quality valves and a machined polyacetal manifold ensures pressure tight integrity, ruggedness and a long dependable life. The unique vertical mounting scheme conserves scarce shelter wall space without sacrificing convenient access.

The only difference between the RCM-1 and RCM-2 is the full-scale pressure gauge calibrations. These are 15 oz/in² (gauge) and 15 psig respectively.

An RCM-1 or RCM-2 Air Distribution Manifold provides nine ports. Each port provides a cut off valve with 1/8" NPT female fitting. These manifolds can be used to connect an ADH or EDH series dehydrator to as many as 8 antenna transmission lines or other pressure system devices. Alternatively, multiple dehydrators can be connected to a pressure system to add the additional protection offered by redundant dehydrators.

Individual valves combined with the pressure gauge permit quick identification of a leaking antenna or dehydrator. Isolation of the leaky system permits normal operation of the remaining antennas.

For complete information describing its application, installation and features, please contact Customer Service or check on the web at www.networketi.com.

Unpacking

Inspect the shipping container and packing material for damage. Save the shipping container and related materials until normal operation has been established. If the unit must be returned, take care to ensure that it is packed as it was received.

| Specifications | RCM-1 | RCM-2 |
|-----------------------------|-----------------------------|------------------------------|
| Operating pressure range | 0-12 ounces/in ² | 0-12 psig |
| Max. pressure | 15 ounces/in ² | 15 psig |
| Flowrate @ 0.5 psi | 39 scfh (1104 lph) | 39 scfh (1104 lph) |
| Operating temperature range | 0° to 140°F (-18° to 60°C) | 0° to 140°F (-18° to 60°C) |
| Storage temperature range | 0° to 140°F (-18° to 60°C) | -40° to 140°F (-40° to 60°C) |

Environmental Technology, Inc.

1850 N Sheridan Street • South Bend, IN 46628
(574)233-1202 • Fax (574)233-2152
Toll Free (800)234-4239 • Fax (888)234-4238
www.networketi.com • helpdesk@networketi.com

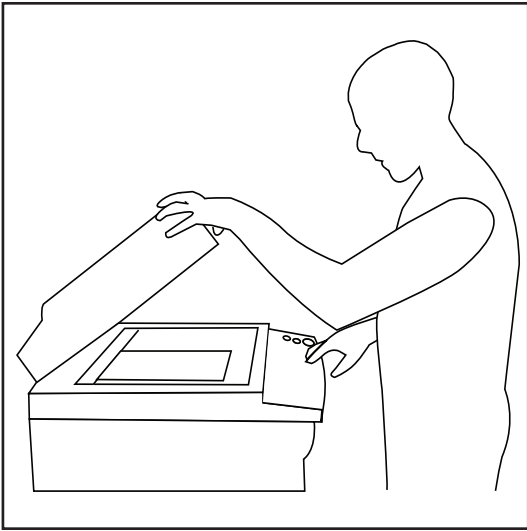


Fig. 1: Photocopy template.

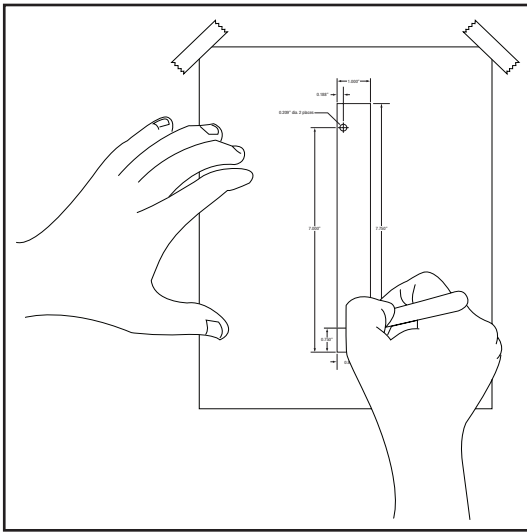


Fig. 2: Align template and mark center of holes before drilling.

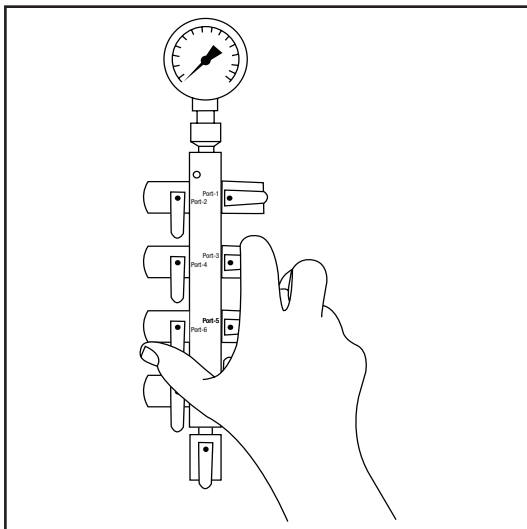


Fig. 3: Mount manifold upright with gauge at top.

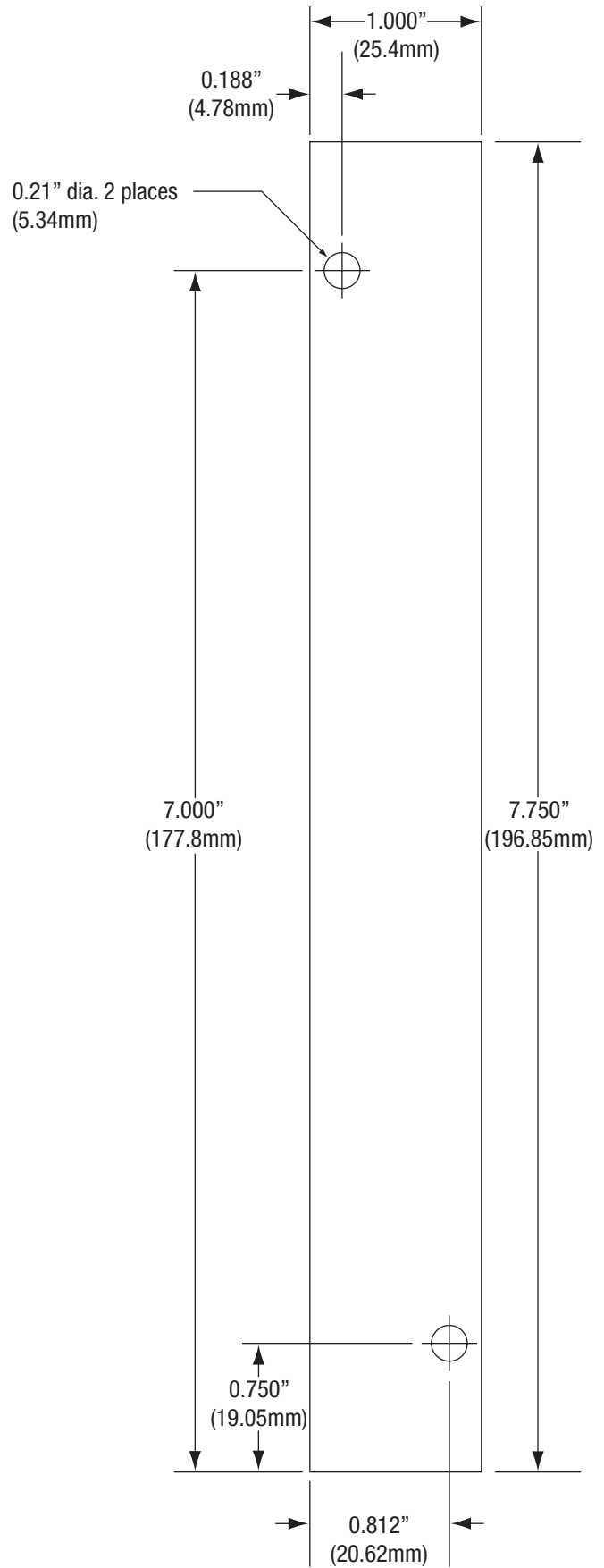


Fig. 4: Mounting hole layout, may be photocopied & used as drill template.

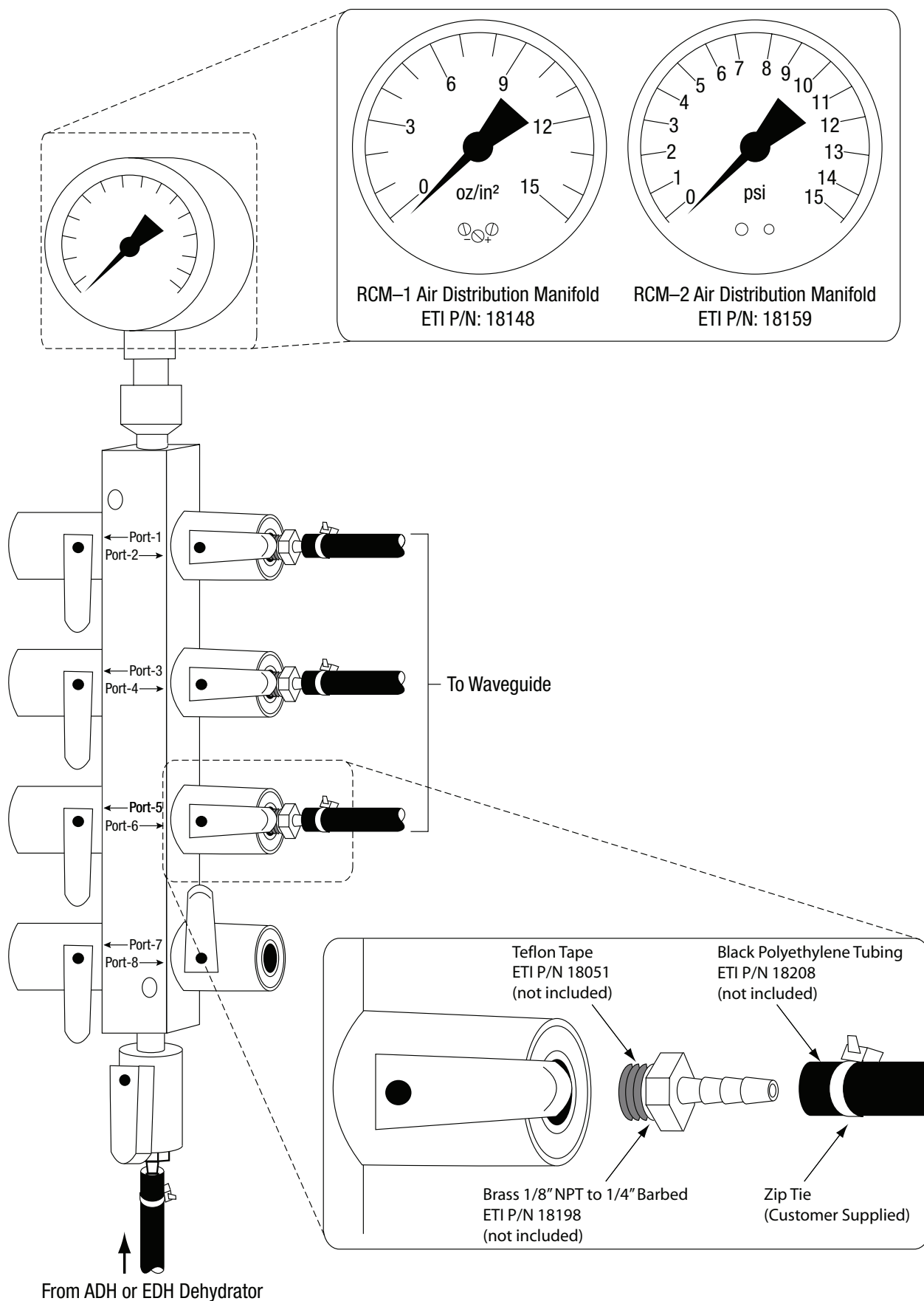


Fig. 5: RCM air distribution manifold shown in a typical configuration.

ORDERING INFORMATION

| Order Number | Description |
|-------------------------------------------|---------------------------------------------------------------------|
| 18148 | RCM-1 Air Distribution Manifold, 15 oz/in ² |
| 18159 | RCM-2 Air Distribution Manifold, 15 psig |
| Assessories | |
| 18208 | Black Polyethylene UV resistant semi-rigid tubing, 1/4" ID, 3/8" OD |
| 16298 | Tee male 1/4" (3) barbed connector |
| 14583 | Elbow 1/8" NPT to 1/4" hose barb |
| 18198 | Hose Barb 1/4" to 1/8" NPT male – straight |
| 18040 | Hose Barb 1/4" to 1/8" NPT female –straight |
| 23023 | Tee 1/8" NPT M-F-F |
| 16725 | Compression Male 1/8" NPT – 3/8" OD tubing |
| 18051 | Teflon Tape |
| 23022 | Pressure Relief Valve, 6.5 psig, 1/8" NPT |
| Automatic Regenerative Dehydrators | |
| 17479 | ADH-3COM rack mount (UL 1950 & CE) |
| 17845 | ADH-3COM wall mount (UL 1950 & CE) |
| 18136 | ADH-3COM outdoor NEMA (UL 1950 & CE) |
| 17696 | ADH-2A COM rack mount (UL 1950 & CE) |
| 17846 | ADH-2A COM wall mount (UL 1950 & CE) |
| 17905 | ADH-2A COM outdoor NEMA mount (UL 1950 & CE) |
| Non-Regenerative Dehydrators | |
| 18021 | EDH-4 rack mount (UL 1950 & CE) |
| 18250 | EDH-4 NEMA mount (UL 1950 & CE) |
| 17958 | RCD-1 Passive Dehydrator |
| 17963 | RCD-2 Self-Pumping Passive Dehydrator |

LIMITED WARRANTY

ETI's two year limited warranty covering defects in workmanship and materials applies. Contact Customer Service for complete warranty information.

DISCLAIMER

Environmental Technology, Inc. makes no representations or warranties, either expressed or implied, with respect to the contents of this publication or the products that it describes, and **specifically disclaims any implied warranties of merchantability or fitness for any particular purpose**. Environmental Technology, Inc. reserves the right to revise this publication, and to make changes and improvements to the products described in this publication, without the obligation of Environmental Technology, Inc. to notify any person or organization of such revisions, changes or improvements.